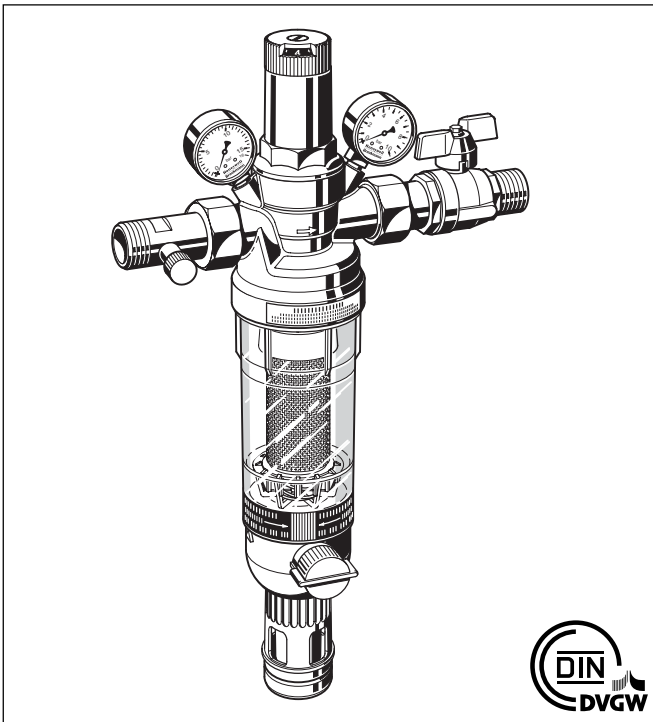


HS10S

Combination water supply unit

Product specification sheet



Construction

The combination water supply unit comprises:

- Housing with inlet and outlet pressure gauges
- Non-return valve on inlet
- Test point for non return valve
- Fine filter in clear filter bowl
- Ball valve with drain connection
- Spring bonnet with adjustment knob and setting scale
- Valve insert including diaphragm and valve seat
- Threaded or soldered union connections
- Shutoff valve
- Double ring wrench

Materials

- Housing of dezincification resistant brass, shutoff valve and connectors
- High quality synthetic material non return valve cartridge
- Stainless steel fine filter
- Red-bronze or shock-resistant, clear synthetic material filter bowl
- High quality synthetic material spring bonnet
- High quality synthetic material valve insert
- Fibre-reinforced NBR diaphragm
- NBR seals

Application

HS10S combination water supply units integrate a non return valve with test point, reverse rinsing fine filter, pressure reducing valve and shutoff valve in one appliance. They ensure a continuous supply of filtered water. The fine filter stops the ingress of foreign bodies, for example rust particles, strands of hemp and grains of sand. The non-return valve protects the mains water system against back pressure, back flow and back syphonage of health threatening liquids. The pressure reducing valve prevents over-pressure damage and reduces water consumption. All individual units correspond to the requirements of current DIN/DVGW specifications. Technical features of each unit also apply to the combination assembly.

Special Features

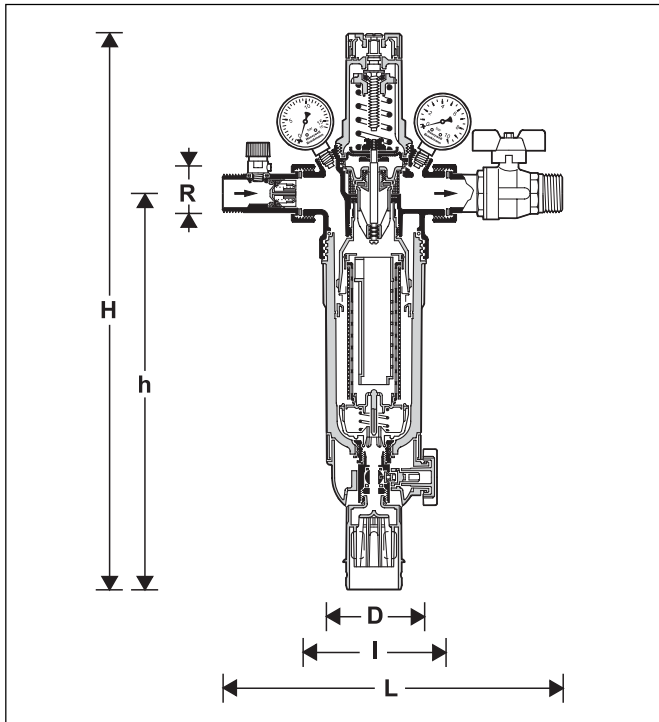
- DIN/DVGW tested
- Especially compact because pressure reducing valve, fine filter, non return valve and shutoff valve are combined in one unit
- Filtered water supplied even during reverse rinsing
- Patented reverse rinsing system - fast and thorough cleaning of the filter with small amount of water
- Memory ring indicates when next manual reverse rinsing is due
- Automatic reverse rinsing actuator with bayonet connector can be retrofitted
- Shock resistant clear synthetic material filter bowl enables easy checking of filter contamination
- Inlet pressure compensation - fluctuating inlet pressures do not influence outlet pressure
- Valve and filter inserts fully interchangeable
- Very simple operation

Range of Application

| | |
|-----------------|---|
| Medium | Water |
| Inlet pressure | Maximum 16.0 bar with clear filter bowl Maximum 25.0 bar with red-bronze filter bowl |
| Outlet pressure | 1.5 to 6.0 bar |

Technical Data

| | |
|-----------------------|---|
| Installation position | Horizontal, with filter bowl downwards |
| Operating temperature | Maximum 40 °C with clear filter bowl Maximum 70 °C with red-bronze filter bowl |
| Operating pressure | Minimum 1.5 bar |
| Connection sizes | 1/2" - 2" |



Method of Operation

The HS10S combines non-return valve, reverse rinsing fine filter, pressure reducing valve and shutoff valve in one appliance. Water flows first through the non return valve. This causes the valve stem to push against the spring force and open the valve. The downstream reverse rinsing fine filter holds back any dirt particles in the water. These particles are then completely flushed out by reverse rinsing. The integral pressure reducing valve functions on a balanced force principle whereby the force exerted by a diaphragm is balanced against the force of an adjustment spring. The inlet pressure has no influence on opening or closing of the valve. Inlet pressure fluctuation does not therefore affect the outlet pressure.

Options

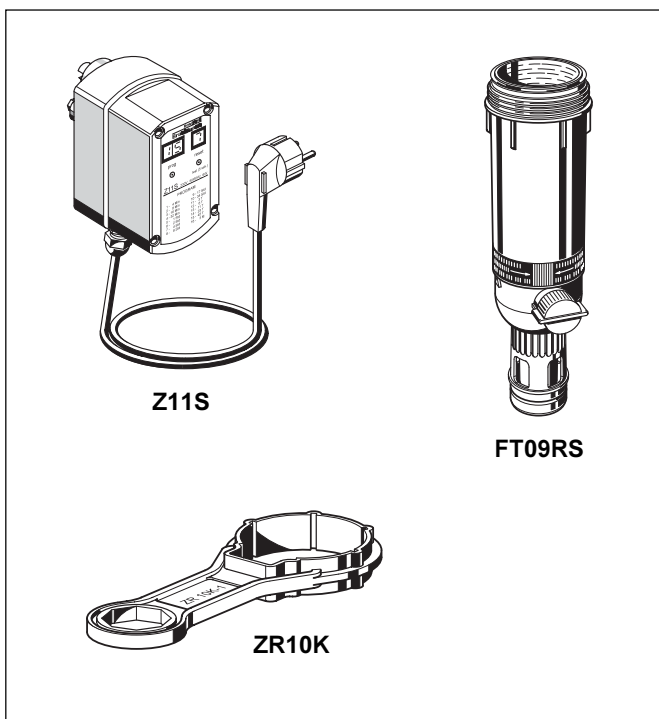
- HS10S- ... AA = Threaded male connections, filter mesh size 100 µm
- HS10S- ... AB = Threaded male connections, filter mesh size 20 µm
- HS10S- ... AC = Threaded male connections, filter mesh size 50 µm
- HS10S- ... AD = Threaded male connections, filter mesh size 200 µm
- HS10S- ... BA = Soldered connections, filter mesh size 100 µm
- HS10S- ... BB = Soldered connections, filter mesh size 20 µm
- HS10S- ... BC = Soldered connections, filter mesh size 50 µm
- HS10S- ... BD = Soldered connections, filter mesh size 200 µm
- HS10S- ... AAM = Red bronze filter bowl, threaded male connections, filter mesh size 100 µm
- HS10S- ... ACM = Red bronze filter bowl, threaded male connections, filter mesh size 50 µm

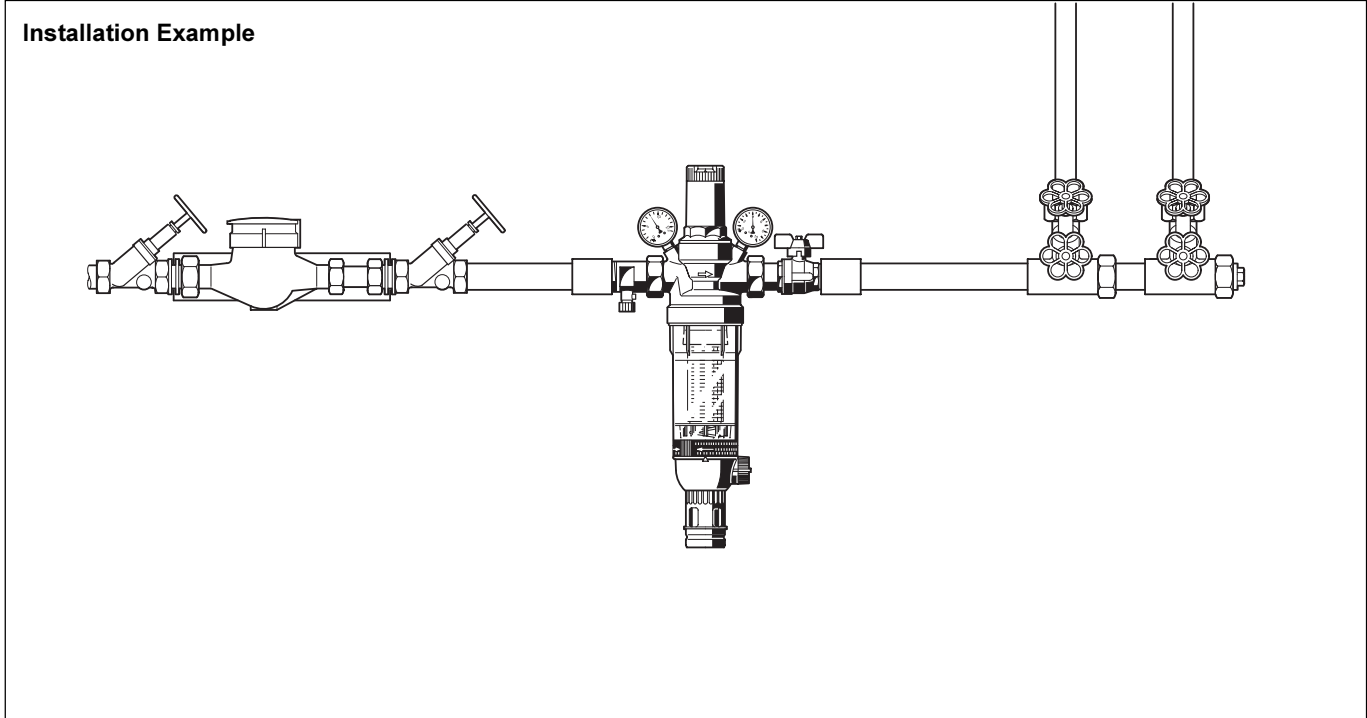
Connection size

| Connection size | R | 1/2" | 3/4" | 1" | 1 1/4" | 1 1/2" | 2" |
|-----------------------|------|-------------------|------|-----|--------|--------|------|
| Nominal size | DN | 15 | 20 | 25 | 32 | 40 | 50 |
| Approximate weight | (kg) | 4.0 | 4.1 | 5.7 | 6.3 | 8.1 | 10 |
| Dimensions | (mm) | | | | | | |
| | L | 255 | 268 | 305 | 327 | 370 | 408 |
| | I | 110 | 110 | 130 | 130 | 150 | 150 |
| | H | 439 | 439 | 493 | 493 | 590 | 590 |
| | h | 350 | 350 | 353 | 353 | 417 | 417 |
| | D | 97 | 97 | 97 | 97 | 120 | 120 |
| kvs-value | | 2.7 | 3.2 | 8.0 | 10.0 | 12.6 | 13.0 |
| DIN/DVGW-Approval No. | | DW – 9321 AT 2381 | | | | | |

Accessories

- Z11S Automatic reverse rinsing actuator**
For automatic filter cleaning at presettable intervals
- ZR10K Double ring wrench**
For removing filter bowl and spring bonnet
- FT09RS Red-bronze filter bowl**
For temperature up to 70 °C and 25.0 bar operating temperature





Installation Guidelines

- Install in horizontal pipework with filter bowl downwards
 - This position ensures optimum filter efficiency
- Fit shut off valves on both sides of water meter
- Ensure good accessibility
 - So that pressure gauges can be easily seen
 - Degree of contamination can be easily seen with clear filter bowl
 - Simplifies maintenance and inspection
- Fit immediately after water meter
 - Corresponds to DIN 1988, Part 2

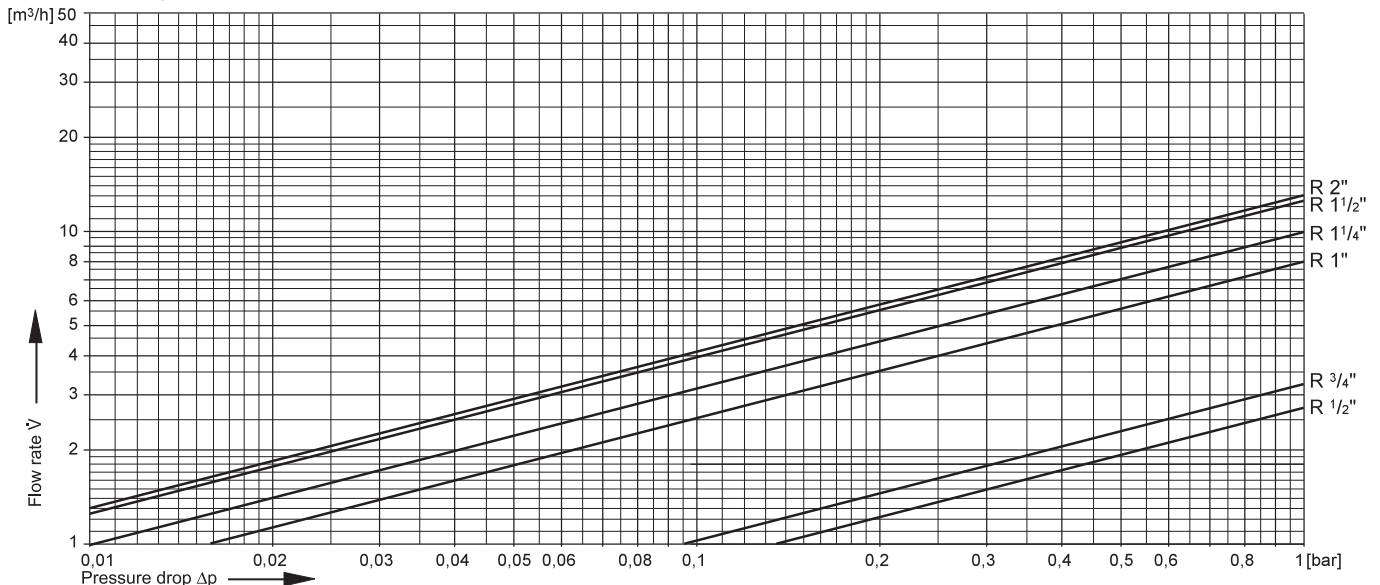
Typical Applications

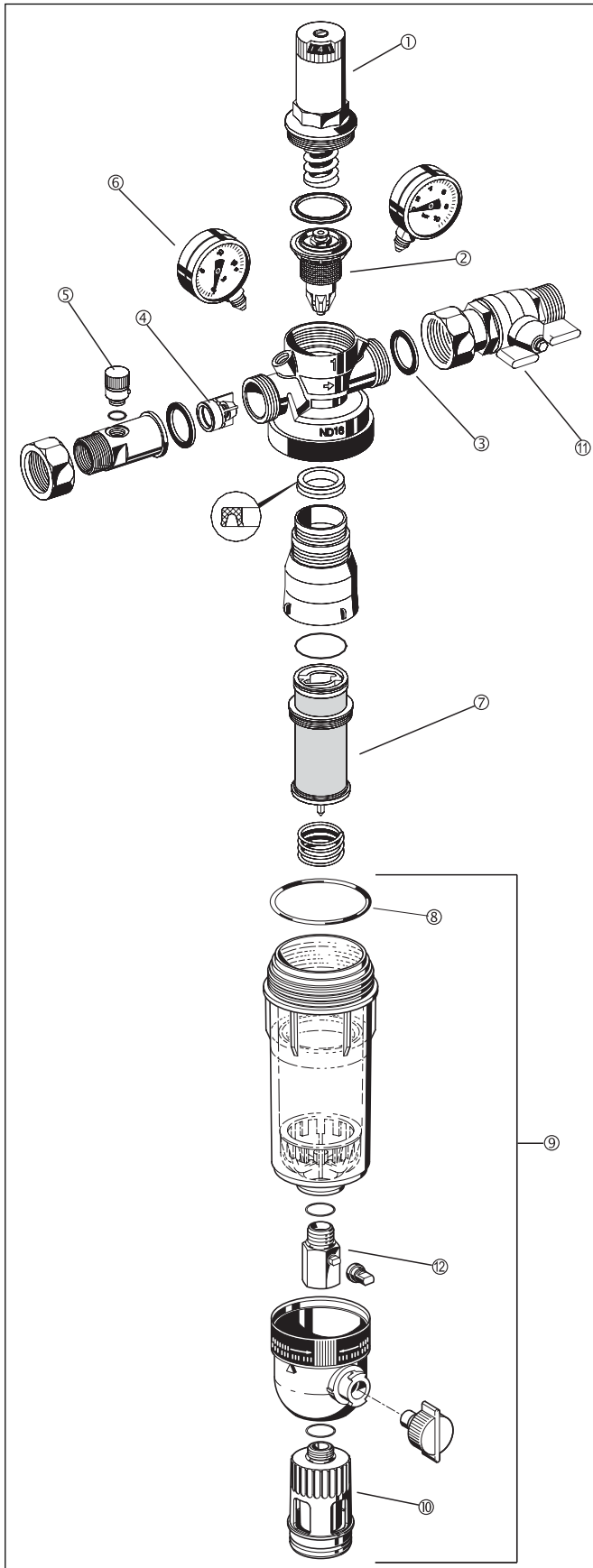
HS10S combination water supply units can be fitted wherever non return valves, filters, pressure reducing valves and water distributor units, or a combination of these appliances are required. They are particularly suitable for all types of household applications to comply with standards and for industrial and commercial use within the limits of their specifications.

HS10S combined water supply units are installed:

- To comply with standards and where space is limited, for example in modernisation of old buildings
- Where there is existing metal or plastics pipework
- For protection against noise when the static pressure at take off points exceeds 5.0 bar (DIN 4109)
- If the static pressure exceeds the maximum permissible operating pressure of an installation
- If pressure fluctuations in the downstream system must be avoided
- If the downstream system includes appliances which must be protected against dirt

kvs-value Diagram





Spare Parts for HS10S Combination Water Supply Units (From 1997 onwards)

| Description | Nominal size | Part number | |
|---|--------------------|---------------|-------------|
| ① Spring bonnet complete (with setting scale) | 1/2" + 3/4" | 0901515 | |
| | 1" + 1 1/4" | 0901517 | |
| | 1 1/2" + 2" | 0901518 | |
| ② Valve insert complete (without filter) | 1/2" + 3/4" | D06FA-1/2 | |
| | 1" + 1 1/4" | D06FA-1A | |
| | 1 1/2" + 2" | D06FA-11/2 | |
| ③ Seal ring set (Pack of 10) | 1/2" + 3/4" | 0901444 | |
| | 1" | 0901445 | |
| | 1 1/4" | 0901446 | |
| | 1 1/2" | 0901447 | |
| | 2" | 0901448 | |
| ④ Non return valve cartridge | 1/2" | 2166200 | |
| | 3/4" | 2110200 | |
| | 1" | 2164400 | |
| | 1 1/4" | 2164500 | |
| | 1 1/2" | 2164600 | |
| | 2" | 2164700 | |
| ⑤ Test valve | 1/2" - 2" | 2421100 | |
| ⑥ Pressure gauge (0-10 bar) Pressure gauge (0-16 bar) Pressure gauge (0-25 bar) | 1/2" - 2" | M38K-A10 | |
| | 1/2" - 2" | M38K-A16 | |
| | 1/2" - 2" | M38K-A25 | |
| ⑦ Filter insert complete | Filter mesh 100 µm | 1/2" - 1 1/4" | AF11S-1A |
| | | 1 1/2" - 2" | AF11S-11/2A |
| | Filter mesh 20 µm | 1/2" - 1 1/4" | AF11S-1B |
| | | 1 1/2" - 2" | AF11S-11/2B |
| | Filter mesh 50 µm | 1/2" - 1 1/4" | AF11S-1C |
| | | 1 1/2" - 2" | AF11S-11/2C |
| | Filter mesh 200 µm | 1/2" - 1 1/4" | AF11S-1D |
| | | 1 1/2" - 2" | AF11S-11/2D |
| | Filter mesh 300 µm | 1/2" - 1 1/4" | AF11S-1E |
| | | 1 1/2" - 2" | AF11S-11/2E |
| Filter mesh 500 µm | 1/2" - 1 1/4" | AF11S-1F | |
| | 1 1/2" - 2" | AF11S-11/2F | |
| ⑧ O-ring set (Pack of 10) | 1/2" - 1 1/4" | 0900747 | |
| | 1 1/2" - 2" | 0900748 | |
| ⑨ Clear filter bowl | 1/2" - 1 1/4" | KF11S-1A | |
| | 1 1/2" - 2" | KF11S-11/2A | |
| ⑩ Drain connector | 1/2" - 2" | AA76-1/2A | |
| | ⑪ Shutoff valve | 1/2" | 2192900 |
| | | 3/4" | 2193100 |
| | | 1" | 2193200 |
| | | 1 1/4" | 2193300 |
| | | 1 1/2" | 2193400 |
| 2" | | 2193500 | |
| ⑫ Ball valve complete | 1/2" - 2" | KH11S-1A | |

Honeywell
Braukmann

Automation and Control Products

Honeywell GmbH
Hardhofweg
D-74821 Mosbach

Phone: (49) 6261 810
Fax: (49) 6261 81309
braukmann@honeywell.com

<http://europe.hbc.honeywell.com>